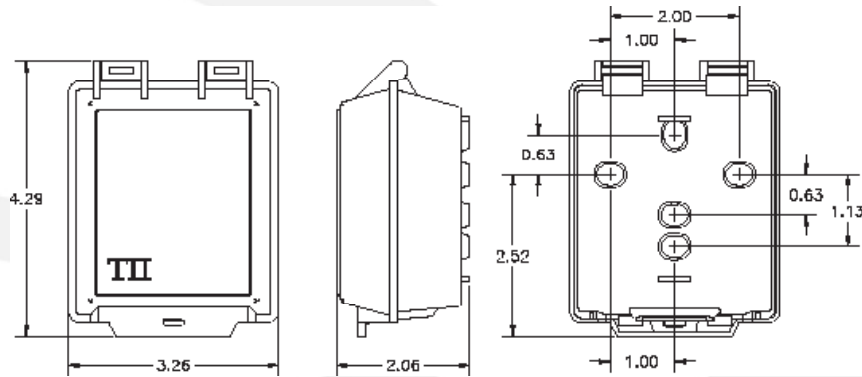




# tii 344, 345, 348, & 349



## ORDERING INFORMATION

Model No.	Description
tii 344-XX-1	One Pair Total Failsafe® TFS® Station Protector (see protector list below)
tii 344-XX-2	Two Pair Total Failsafe® TFS® Station Protector (see protector list below)
	XX = STATION PROTECTORS
	50 = 355MT                      71 = AD-01W-FS
	51 = 127M                        72 = AD-02W-FS
	53 = 356M2                      73 = AD-M2-W-FS
	54 = 356M3                      76 = AD-03W-FS
tii 345-1( *)	One Pair Total Failsafe® TFS® Station Protector equipped with (1) 126 Protector Module <sup>◊</sup>
tii 345-2( *)	Two Pair Total Failsafe® TFS® Station Protector equipped with (2) 126 Protector Modules <sup>◊</sup>
tii 348-1MG	One Pair Total Failsafe® TFS® Station Protector equipped with (1) 355 Protector Module <sup>◊</sup>
tii 348-2MG	Two Pair Total Failsafe® TFS® Station Protector equipped with (2) 355 Protector Modules <sup>◊</sup>
tii 349-1( *)G	One Pair Total Failsafe® TFS® Station Protector equipped with (1) 356 Protector Module <sup>◊</sup>
tii 349-2( *)G	Two Pair Total Failsafe® TFS® Station Protector equipped with (2) 356 Protector Modules <sup>◊</sup>

\*Insert letter L or M in place of (\*).

"M" designates a protector module meeting RUS and PEG and other industry requirements.

"L" designates a protector module meeting specific Bell System Requirements.

Both "L" and "M" types are UL Listed.

<sup>◊</sup>Please refer to the respective data sheets for description and specifications of the tii TFS® Total Failsafe® Protector modules.

Standard Package:	50 Pieces
Weight:	0.25 lbs each (housing only)