

## Tii 751

### *Indoor Gel Sealed Network Master Jack*

Serves as an Indoor Demarcation Point

Equipped With Gel Sealed Auto-Jack® Test Receptacle and IDC Connections

Serves As A Standard Phone Jack  
Mounts Easily On Any Flat Surface

Offered With Optional Half-Ringer Electronics



**Tii 751**

The Tii 751 Indoor Gel-Sealed Master Jack is ideally suited for indoor demarcation applications. The Tii 751 is a baseboard mount which may be mounted to any suitable flat surface.

#### KEY PRODUCT BENEFITS

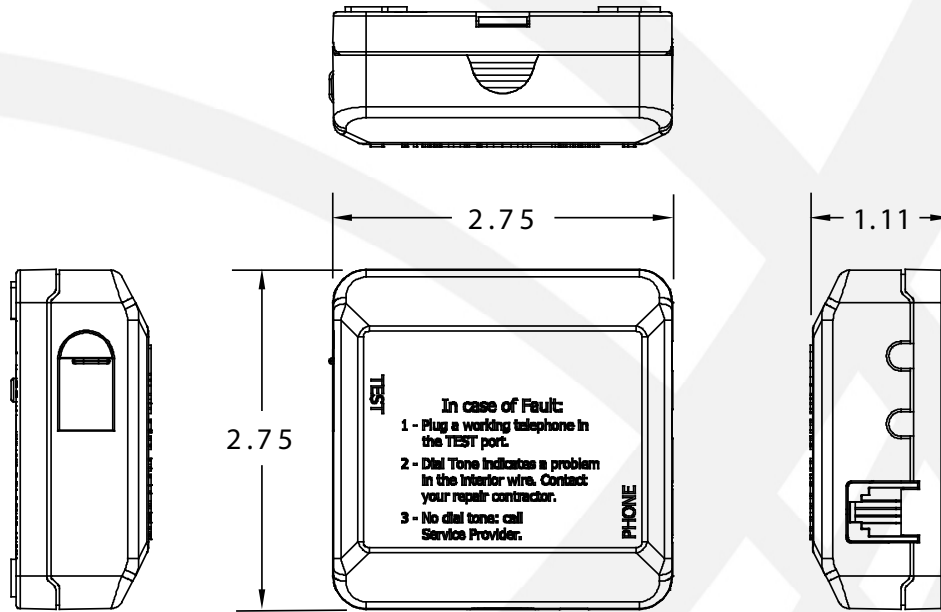
- ▶ Provides a convenient way to perform customer premise demarcation testing.
- ▶ A phone jack is provided on each unit so that a telephone connection may be established at the location.
- ▶ Tool-less IDC rocker for telephone wire connections on the inside of jack
- ▶ Equipped with Tii's unique patented Auto-Jack RJ-11® test receptacle. No RJ-11 plug to remove prior to testing.
- ▶ All other internal customer premise phone jacks should then be connected to the output IDC rocker of the device.
- ▶ For multi-dwelling unit applications the incoming telco service wires are connected to the Insulation Displacement Contacts (IDCs). All other internal customer premise phone jacks should then be connected to the output IDC rocker of the device.
- ▶ The Tii 751 can be equipped with an optional half-ringer test circuit for remote testing.



tii network technologies

141 Rodeo Drive  
Edgewood, NY 11717  
T. 631. 789.5000  
Toll Free 888.844.4720  
F. 631. 789.5063  
sales@tiinettech.com

# Tii 751



*Dimensions are in Inches*

## ORDERING INFORMATION

Model No.	Description
Tii 751-1T-00	Indoor Gel Sealed Contact Indoor Master Jack
Tii 751-1T-01	Indoor Gel Sealed Contact Indoor Master Jack with Half-Ringer
Standard Package: 60 pieces	
Weight: 0.15 lbs each	